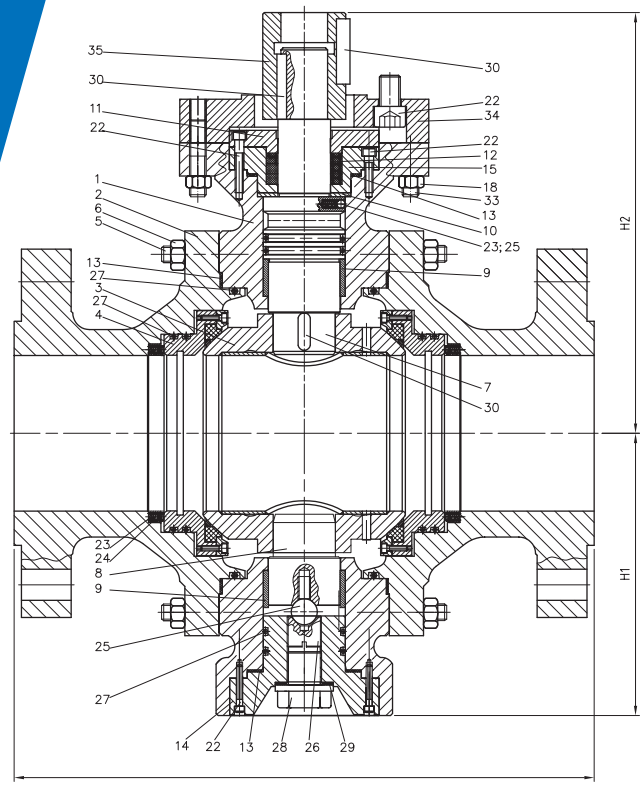
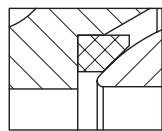
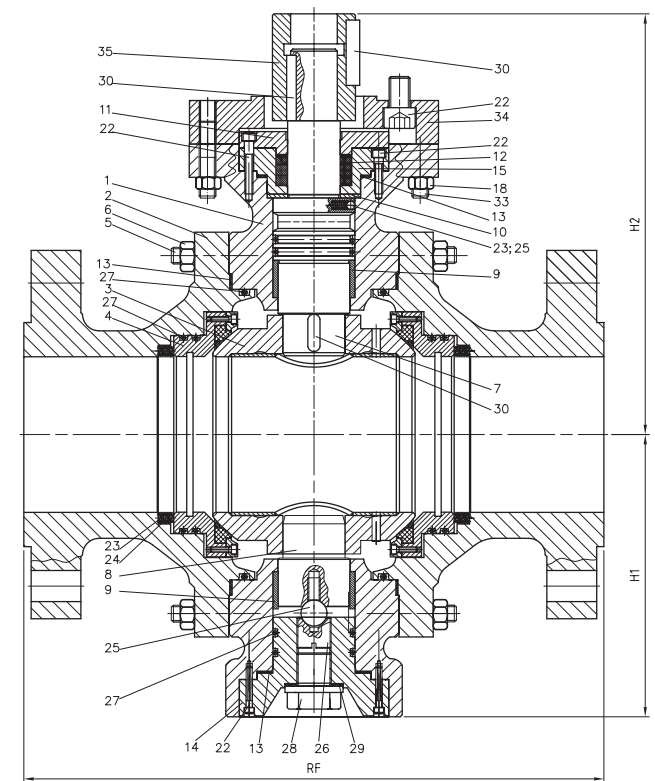
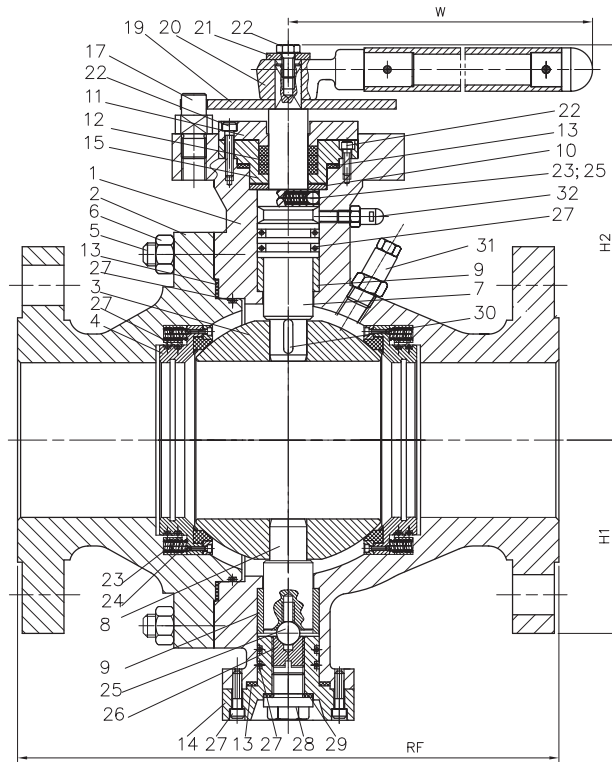
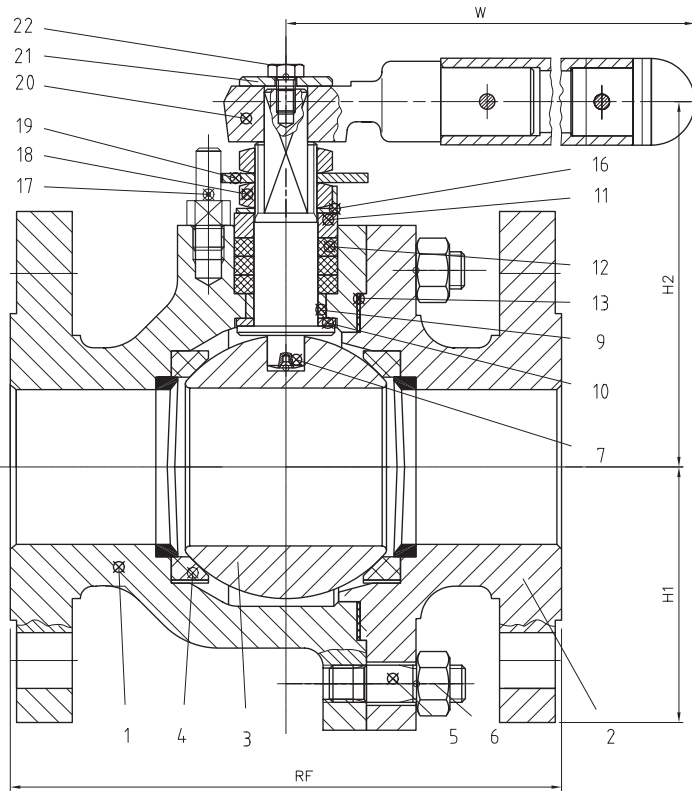


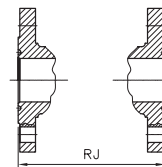
API CAST BALL VALVE



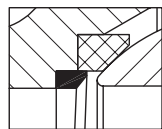
The Science Of Detail



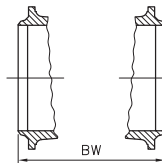
Ball valves with ball floating
Version from twain pieces
- class 150 ÷ 300 NPS 1" ÷ 6"
- class 400 ÷ 1500 NPS 1" ÷ 1 1/2"
- PN 10 ÷ PN 40 DN 25 ÷ DN 150
- PN 64 ÷ PN 250 DN 25 ÷ DN 40



Backseat pressure
Sealing surface primary:
F6/PTFE

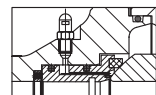


Backseat pressure
Sealing surface primary: F6/PTFE
Sealing surface secondary
18 Cr - 8 Ni/PTFE

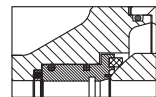


Ball valves with backseat floating
Version from twain pieces
- class 400 ÷ 1500 NPS 2" ÷ 6"
- PN 64 ÷ PN 250 DN 50 ÷ DN 150

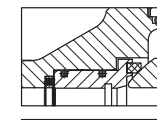
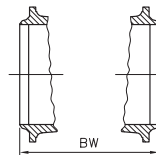
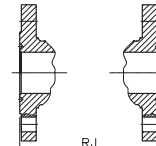
Backseat floating
Sealing surface primary: F6/PTFE



Backseat floating
Sealing surface primary: F6/PTFE
Sealing surface secondary
18 Cr - 8 Ni/PTFE

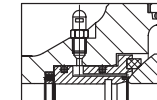


Backseat floating
Sealing surface primary: F6/PTFE
Sealing surface secondary
18 Cr - 8 Ni/PTFE
Sealing tertiary material mellow

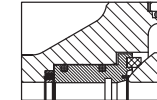


Ball valves with backseat floating
Version from twain pieces
- class 400 ÷ 1500 NPS 6" ÷ 36"
- PN 10 ÷ PN 250 DN 150 ÷ DN 900

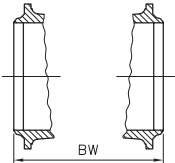
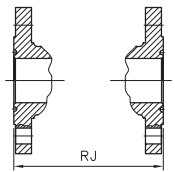
Backseat floating
Sealing surface primary: F6/PTFE



Backseat floating
Sealing surface primary: F6/PTFE
Sealing surface secondary
18 Cr - 8 Ni/PTFE



Backseat floating
Sealing surface primary: F6/PTFE
Sealing surface secondary
18 Cr - 8 Ni/PTFE
Sealing tertiary material mellow



API CAST BALL VALVE

4. MATERIALS

| No. | Name of Part | ASTM SPECIFICATION | | | |
|-----|------------------|-------------------------|-------------------------|-------------------------|-------------------------|
| | | Standard | Low Temperature Service | | |
| | | -20°F 302°F/-29°C 200°C | -50°F 302°F/-46°C 200°C | -50°F 302°F/-46°C 200°C | -75°F 302°F/-59°C 200°C |
| 1 | Body | A216-WCB | A352-LCB | A352-LCC | A352-LC1 |
| 2 | Bonnet | A216-WCB | A352-LCB | A352-LCC | A352-LC1 |
| 3 | Ball | A182-F6a / A 217 CA 15 | A182-F304 / A 351 CF 8 | A182-F304 / A 351 CF 8 | A182-F304 / A 351 CF 8 |
| 4 | Sealing Seat | PTFE | PTFE | PTFE | PTFE |
| 5 | Stud | A193-B7 | A320-L7M | A320-L7M | A320-L7M |
| 6 | Nut | A194-2H | A194-4 | A194-4 | A194-4 |
| 7 | Driving Stem | A182-F6a | A182-F304 | A182-F304 | A182-F304 |
| 8 | Bottom Shaft | A182-F6a | A182-F304 | A182-F304 | A182-F304 |
| 9 | Bushing | A439-D2C | A439-D2C | A439-D2C | A439-D2C |
| 10 | Stem Washer | A439-D2C | A439-D2C | A439-D2C | A439-D2C |
| 11 | Gland | A108 gr.1025 | A350-LF2 | A350-LF2 | A350-LF2 |
| 12 | Gland Packing | Grafex | Grafex | Grafex | Grafex |
| 13 | Gasket | Graphite | Graphite | Graphite | Graphite |
| 14 | Bottom Lid | A 108 gr. 1025 | A350-LF2 | A350-LF2 | A182-F1 |
| 15 | Upper Lid | A 108 gr. 1025 | A350-LF2 | A350-LF2 | A182-F1 |
| 16 | Safety Washer | A108 gr.1017 | A108 gr.1017 | A108 gr.1017 | A108 gr.1017 |
| 17 | Pin | A108 gr.1025 | A108 gr.1025 | A108 gr.1025 | A108 gr.1025 |
| 18 | Nut | A 194 – 2H | A 194 – 2H | A 194 – 2H | A 194 – 2H |
| 19 | Check | A108 gr.1025 | A108 gr.1025 | A108 gr.1025 | A108 gr.1025 |
| 20 | Lever | Sub-assembly | Sub-assembly | Sub-assembly | Sub-assembly |
| 21 | Washer | A108 gr.1025 | A108 gr.1025 | A108 gr.1025 | A108 gr.1025 |
| 22 | Screw | A 193 – B7 | A 193 – B7 | A 193 – B7 | A 193 – B7 |
| 23 | Spring | RR | RR | RR | RR |
| 24 | Spring Deck | A515 gr.65 | A515 gr.65 | A515 gr.65 | A515 gr.65 |
| 25 | Ball | Rul | Rul | Rul | Rul |
| 26 | Threaded Pin | A108 gr.1035 | A 350 – LF2 | A 350 – LF2 | A 182 – F1 |
| 27 | O-Ring | Silicon rubber | A 350 – LF2 | A 350 – LF2 | A 182 – F1 |
| 28 | Threaded Plug | A108 gr.1025 | A 350 – LF2 | A 350 – LF2 | A 182 – F1 |
| 29 | Gasket | Copper | Copper | Copper | Copper |
| 30 | Key | A108 gr.1045 | A108 gr.1045 | A108 gr.1045 | A108 gr.1045 |
| 31 | Vent Hole | Sub-assembly | Sub-assembly | Sub-assembly | Sub-assembly |
| 32 | Lubricator | Commercial | Commercial | Commercial | Commercial |
| 33 | Stud | A 193 – B7 | A 193 – B7 | A 193 – B7 | A 193 – B7 |
| 34 | Device Flange | A108 gr.1025 | A108 gr.1025 | A108 gr.1025 | A108 gr.1025 |
| 35 | Actuator Bushing | A108 gr.1025 | A108 gr.1025 | A108 gr.1025 | A108 gr.1025 |

1. USE:

Extraction, transportation and distribution systems in: water, steam, gas and oil industry.

2. SERVICE CONDITIONS:

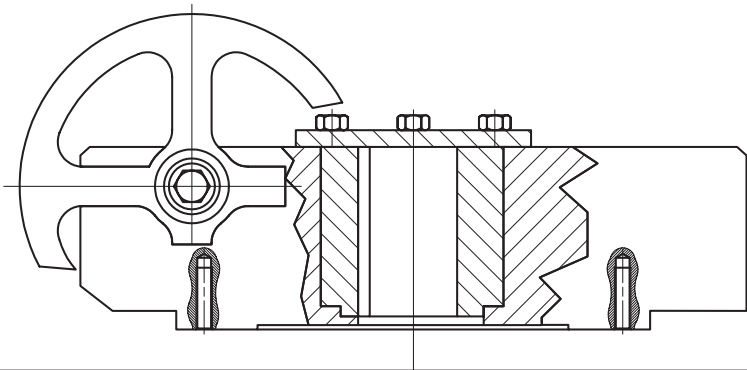
- 2.1. Ambient temperature:
from - 35°C to + 40°C (-22°F to +104°F)
- 2.2. Service temperature:
from -59°C to +200°C (-75°F to +302°F)

3. TECHNICAL CHARACTERISTICS:

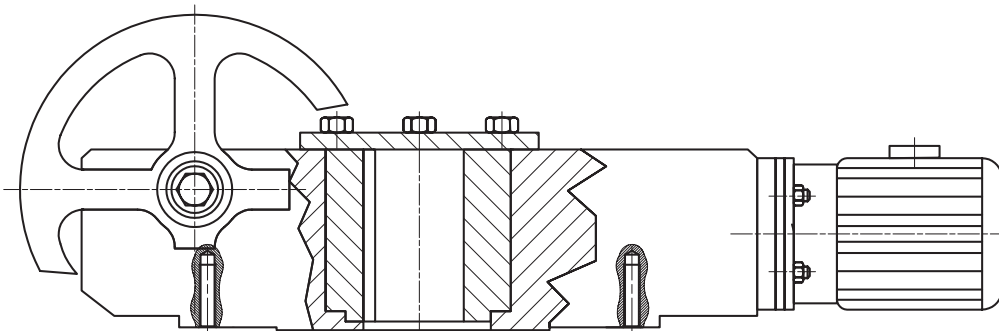
- 3.1. Design standard:
API SPEC. 6D
- 3.2. End-to-end dimensions:
ASME B16.10 for NPS 1" + 36".
- 3.3. Connection flanges:
ASME B16.5 for NPS 1" + 24",
MSS SP 44 or
ASME B16.47 for NPS 22" + 36".
- 3.4. Weld ends:
ASME B16.25 or ASME B31.1
- 3.5. Temperature pressure rating:
ASME B16.34 and API SPEC. 6D
- 3.6. Testing:
API SPEC. 6D
- 3.7. Operation:

| | |
|----------------|------------|
| manual | - lever |
| | - gear |
| electrical | - actuator |
| pneumatic | - actuator |
| hydropneumatic | - actuator |

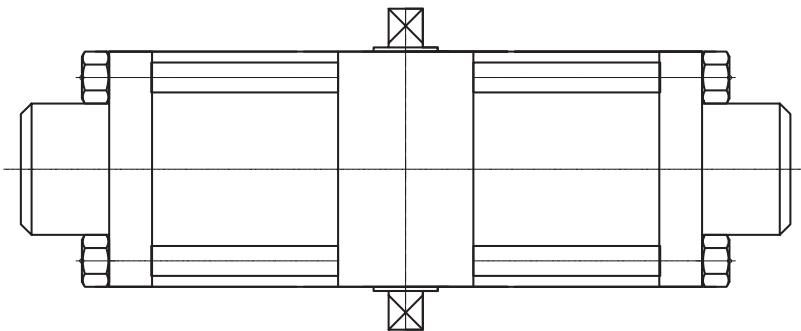
VALVE WITH MANUAL OPERATOR



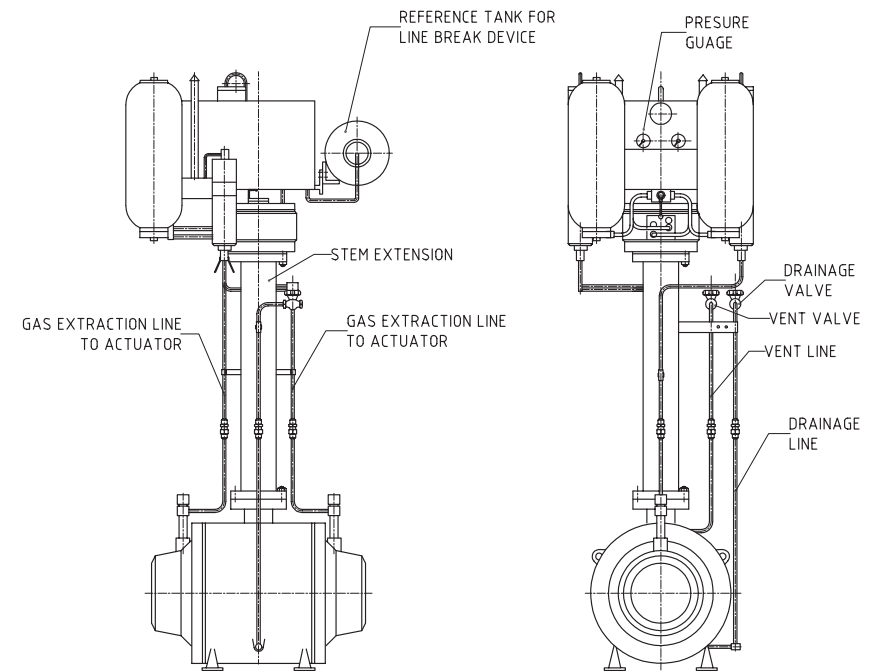
VALVE WITH ELECTRIC ACTUATOR



VALVE WITH PNEUMATIC ACTUATOR



VALVE WITH HYDRO - PNEUMATIC ACTUATOR



API CAST BALL VALVE CLASS 150

| | NPS | inch | 1" | 1 1/2" | 2" | 2 1/2" | 3" | 4" | 5" | 6" | 8" | 10" | 12" | 14" | 16" | 18" | 20" | 22" | 24" | 26" | 28" | 30" | 32" | 36" | |
|--------------------|-----|------|--------|---------|---------|---------|---------|---------|---------|---------|---------|---------|---------|---------|---------|---------|---------|---------|---------|---------|---------|---------|---------|---------|-----|
| | | | DN | mm | 25 | 40 | 50 | 65 | 80 | 100 | 125 | 150 | 200 | 250 | 300 | 350 | 400 | 450 | 500 | 550 | 600 | 650 | 700 | 750 | 800 |
| Overall dimensions | RF | inch | 5" | 6 1/2" | 7" | 7 1/2" | 8" | 9" | 15" | 15 1/2" | 18" | 21" | 24" | 27" | 30" | 34" | 36" | 39" | 42" | 45" | 49" | 51" | 54" | 60" | |
| | | mm | 127 | 165 | 178 | 191 | 203 | 229 | 381 | 394 | 457 | 533 | 610 | 686 | 762 | 864 | 914 | 991 | 1067 | 1143 | 1245 | 1295 | 1372 | 1524 | |
| | RJ | inch | 5 3/8" | 6 7/8" | 7 1/2" | 8" | 8 1/2" | 9 1/2" | 15 1/4" | 16" | 18 1/2" | 21 1/2" | 24 1/2" | 27 1/2" | 30 1/2" | 34 1/2" | 36 1/2" | 39 1/2" | 42 1/2" | | | | | | |
| | | mm | 137 | 175 | 191 | 203 | 216 | 241 | 387 | 406 | 470 | 546 | 622 | 699 | 775 | 876 | 927 | 1003 | 1080 | | | | | | |
| | BW | inch | 6 1/2" | 7 1/2" | 8 1/2" | 9 1/2" | 11 1/8" | 12" | 17" | 18" | 20 1/2" | 22" | 25" | 30" | 33" | 36" | 39" | 43" | 45" | 49" | 53" | 55" | 60" | 68" | |
| | | mm | 165 | 191 | 216 | 241 | 283 | 305 | 432 | 457 | 521 | 559 | 635 | 762 | 838 | 914 | 991 | 1092 | 1143 | 1245 | 1346 | 1397 | 1524 | 1727 | |
| | H1 | inch | 3 1/4" | 5 1/2" | 6 1/8" | 6 7/8" | 7 5/8" | 9" | 9 7/8" | 10 5/8" | 12 1/4" | 14 1/4" | 16 1/2" | 18 7/8" | 19 3/4" | 20 5/8" | 24 7/8" | 25 1/4" | 25 3/8" | 27" | 29 1/2" | 32 1/2" | 33 1/2" | 38 5/8" | |
| | | mm | 82 | 140 | 155 | 175 | 194 | 229 | 251 | 270 | 311 | 362 | 419 | 479 | 502 | 524 | 632 | 641 | 645 | 686 | 749 | 826 | 851 | 981 | |
| | H2 | inch | 2 3/8" | 3 3/4" | 4 1/8" | 4 5/8" | 5 1/4" | 6 1/2" | 8" | 9 5/8" | 11 1/4" | 13 1/4" | 15 1/2" | 17 7/8" | 18 3/4" | 19 5/8" | 23 7/8" | 24 1/4" | 24 5/8" | 26" | 28 1/2" | 31 1/2" | 32 1/2" | 37 5/8" | |
| | | mm | 60 | 95 | 105 | 117 | 133 | 152 | 203 | 244 | 286 | 337 | 394 | 454 | 476 | 498 | 606 | 616 | 625 | 660 | 724 | 800 | 826 | 956 | |
| | W | inch | 12" | 17 3/4" | 17 3/4" | 17 3/4" | 23 5/8" | 23 5/8" | 23 5/8" | 20" | 20" | 20" | 27 1/2" | 27 1/2" | 27 1/2" | 27 1/2" | 27 1/2" | 27 1/2" | 27 1/2" | 27 1/2" | 27 1/2" | 27 1/2" | 31 1/2" | 31 1/2" | |
| | | mm | 305 | 451 | 451 | 451 | 600 | 600 | 600 | 508 | 508 | 508 | 698 | 698 | 698 | 698 | 698 | 698 | 698 | 698 | 698 | 698 | 800 | 800 | |
| Net weight | RF | lbs. | 40 | 49 | 62 | 88 | 115 | 203 | 293 | 386 | 595 | 893 | 1290 | 1775 | 2359 | 2800 | 4079 | 5401 | 7011 | 8311 | 10218 | 11839 | 15344 | 19731 | |
| | | kg | 18 | 22 | 28 | 40 | 52 | 92 | 133 | 175 | 270 | 405 | 585 | 805 | 1070 | 1270 | 1850 | 2450 | 3180 | 3770 | 4635 | 5370 | 6960 | 8950 | |
| | BW | lbs. | 40 | 49 | 62 | 88 | 115 | 203 | 293 | 386 | 595 | 893 | 1290 | 1775 | 2359 | 2800 | 4079 | 5401 | 7011 | 8311 | 10218 | 11839 | 15344 | 19731 | |
| | | kg | 18 | 22 | 28 | 40 | 52 | 92 | 133 | 175 | 270 | 405 | 585 | 805 | 1070 | 1270 | 1850 | 2450 | 3180 | 3770 | 4635 | 5370 | 6960 | 8950 | |

API CAST BALL VALVE CLASS 300

| | NPS | inch | 1" | 1 1/2" | 2" | 2 1/2" | 3" | 4" | 5" | 6" | 8" | 10" | 12" | 14" | 16" | 18" | 20" | 22" | 24" | 26" | 28" | 30" | 32" | 36" |
|--------------------|-----|------|--------|---------|---------|---------|---------|---------|---------|---------|---------|---------|---------|---------|---------|---------|---------|---------|---------|---------|---------|---------|---------|---------|
| | | | DN | mm | 25 | 40 | 50 | 65 | 80 | 100 | 125 | 150 | 200 | 250 | 300 | 350 | 400 | 450 | 500 | 550 | 600 | 650 | 700 | 750 |
| Overall dimensions | RF | inch | 6 1/2" | 7 1/2" | 8 1/2" | 9 1/2" | 11 1/8" | 12" | 15" | 15 7/8" | 19 3/4" | 22 3/8" | 25 1/2" | 30" | 33" | 36" | 39" | 43" | 45" | 49" | 53" | 55" | 60" | 68" |
| | | mm | 165 | 191 | 216 | 241 | 283 | 305 | 381 | 403 | 502 | 568 | 648 | 762 | 838 | 914 | 991 | 1092 | 1143 | 1245 | 1346 | 1397 | 1524 | 1727 |
| | BW | inch | 6 7/8" | 7 7/8" | 9 1/8" | 10 1/8" | 11 3/4" | 12 5/8" | 15 5/8" | 16 1/2" | 20 3/8" | 23" | 26 1/8" | 30 5/8" | 33 5/8" | 36 5/8" | 39 3/4" | 43 7/8" | 45 7/8" | 50" | 54" | 56" | 61 1/8" | 69 1/8" |
| | | mm | 175 | 200 | 232 | 257 | 298 | 321 | 397 | 419 | 518 | 584 | 664 | 778 | 854 | 930 | 1010 | 1114 | 1165 | 1270 | 1372 | 1422 | 1553 | 1756 |
| | RJ | inch | 3 1/2" | 5 1/2" | 6 1/8" | 6 7/8" | 7 5/8" | 9" | 9 7/8" | 10 5/8" | 12 1/4" | 14 1/4" | 16 1/2" | 18 7/8" | 19 3/4" | 20 5/8" | 24 7/8" | 25 1/4" | 25 5/8" | 27" | 29 1/2" | 32 1/2" | 33 1/2" | 38 5/8" |
| | | mm | 89 | 140 | 156 | 175 | 194 | 229 | 251 | 270 | 311 | 362 | 419 | 479 | 502 | 524 | 632 | 641 | 651 | 686 | 749 | 826 | 851 | 981 |
| | H1 | inch | 2 3/4" | 3 3/4" | 4 1/8" | 4 5/8" | 5 1/8" | 6 1/2" | 8" | 9 5/8" | 11 1/4" | 13 1/4" | 15 1/2" | 17 7/8" | 18 3/4" | 19 5/8" | 23 7/8" | 24 1/4" | 24 5/8" | 26" | 28 1/2" | 31 1/2" | 32 1/2" | 37 5/8" |
| | | mm | 70 | 95 | 105 | 117 | 130 | 165 | 203 | 244 | 286 | 337 | 394 | 454 | 476 | 498 | 606 | 616 | 625 | 660 | 724 | 800 | 826 | 956 |
| | H2 | inch | 12" | 17 3/4" | 17 3/4" | 17 3/4" | 23 5/8" | 39 3/8" | 39 3/8" | 20" | 27 1/2" | 27 1/2" | 27 1/2" | 27 1/2" | 27 1/2" | 27 1/2" | 27 1/2" | 27 1/2" | 27 1/2" | 27 1/2" | 27 1/2" | 27 1/2" | 31 1/2" | 31 1/2" |
| | | mm | 305 | 451 | 451 | 451 | 600 | 1000 | 1000 | 508 | 698 | 698 | 698 | 698 | 698 | 698 | 698 | 698 | 698 | 698 | 698 | 698 | 800 | 800 |
| | W | inch | 12" | 17 3/4" | 17 3/4" | 17 3/4" | 23 5/8" | 39 3/8" | 39 3/8" | 20" | 27 1/2" | 27 1/2" | 27 1/2" | 27 1/2" | 27 1/2" | 27 1/2" | 27 1/2" | 27 1/2" | 27 1/2" | 27 1/2" | 27 1/2" | 27 1/2" | 31 1/2" | 31 1/2" |
| | | mm | 305 | 451 | 451 | 451 | 600 | 1000 | 1000 | 508 | 698 | 698 | 698 | 698 | 698 | 698 | 698 | 698 | 698 | 698 | 698 | 698 | 800 | 800 |
| Net weight | RF | lbs. | 44 | 53 | 62 | 93 | 123 | 216 | 335 | 452 | 683 | 1168 | 1720 | 2403 | 3263 | 3715 | 5049 | 6349 | 7959 | 10604 | 13051 | 14859 | 17813 | 22663 |
| | | kg | 20 | 24 | 28 | 42 | 56 | 98 | 152 | 205 | 310 | 530 | 780 | 1090 | 1480 | 1685 | 2290 | 2880 | 3610 | 4810 | 5920 | 6740 | 8080 | 10280 |
| | BW | lbs. | 40 | 46 | 53 | 82 | 108 | 190 | 302 | 408 | 615 | 1076 | 1578 | 2222 | 3011 | 3393 | 4647 | 6014 | 7379 | 10489 | 12923 | 14716 | 17626 | 22410 |
| | | kg | 18 | 21 | 24 | 37 | 49 | 86 | 137 | 185 | 279 | 488 | 716 | 1008 | 1366 | 1539 | 2108 | 2728 | 3347 | 4758 | 5862 | 6675 | 7995 | 10165 |

API CAST BALL VALVE CLASS 400

| | NPS | inch | 1" | 1 1/2" | 2" | 2 1/2" | 3" | 4" | 5" | 6" | 8" | 10" | 12" | 14" | 16" | 18" | 20" | 22" | 24" | 26" | 28" | 30" | 32" | 36" |
|--------------------|-----|------|--------|---------|---------|---------|---------|---------|---------|---------|---------|---------|---------|---------|---------|---------|---------|---------|---------|---------|---------|---------|---------|---------|
| | | | DN | mm | 25 | 40 | 50 | 65 | 80 | 100 | 125 | 150 | 200 | 250 | 300 | 350 | 400 | 450 | 500 | 550 | 600 | 650 | 700 | 750 |
| Overall dimensions | RF | inch | 8 1/2" | 9 1/2" | 11 1/2" | 13" | 14" | 16" | 18" | 19 1/2" | 23 1/2" | 26 1/2" | 30" | 32 1/2" | 35 1/2" | 38 1/2" | 41 1/2" | 45" | 48 1/2" | 51 1/2" | 55" | 60" | 65" | 74" |
| | | mm | 216 | 241 | 292 | 330 | 356 | 406 | 457 | 495 | 597 | 673 | 762 | 826 | 902 | 978 | 1054 | 1143 | 1232 | 1308 | 1397 | 1524 | 1651 | 1880 |
| | BW | inch | 8 1/2" | 9 1/2" | 11 5/8" | 13 1/8" | 14 1/8" | 16 1/8" | 18 5/8" | 19 5/8" | 23 5/8" | 26 5/8" | 30 1/8" | 32 5/8" | 35 5/8" | 38 5/8" | 41 3/4" | 45 3/8" | 48 7/8" | 52" | 55 1/2" | 60 1/2" | 65 5/8" | 74 5/8" |
| | | mm | 216 | 241 | 295 | 333 | 359 | 410 | 473 | 498 | 600 | 676 | 765 | 829 | 905 | 981 | 1060 | 1153 | 1241 | 1321 | 1410 | 1537 | 1667 | 1895 |
| | RJ | inch | 6 1/4" | 6 1/4" | 6 5/8" | 7 3/8" | 8 1/8" | 9 1/2" | 9 7/8" | 10 5/8" | 12 1/4" | 14 1/4" | 16 1/2" | 18 7/8" | 19 3/4" | 20 5/8" | 24 7/8" | 25 1/4" | 25 5/8" | 27" | 29 1/2" | 32 1/2" | 34 1/2" | 38 5/8" |
| | | mm | 159 | 159 | 168 | 187 | 206 | 241 | 251 | 270 | 311 | 362 | 419 | 479 | 502 | 524 | 632 | 641 | 651 | 686 | 749 | 825 | 876 | 981 |
| | H1 | inch | 4 1/4" | 4 1/4" | 4 5/8" | 5 1/8" | 5 5/8" | 7" | 8 3/8" | 9 5/8" | 11 1/4" | 13 1/4" | 15 1/2" | 17 7/8" | 18 3/4" | 19 5/8" | 23 7/8" | 24 1/2" | 24 5/8" | 26" | 28 1/2" | 31 1/2" | 33 1/2" | 37 5/8" |
| | | mm | 108 | 108 | 117 | 130 | 143 | 178 | 213 | 244 | 286 | 337 | 394 | 454 | 476 | 498 | 606 | 622 | 625 | 660 | 724 | 800 | 851 | 956 |
| | H2 | inch | 12" | 17 3/4" | 23 5/8" | 23 5/8" | 39 3/8" | 39 3/8" | 39 3/8" | 20" | 27 1/2" | 27 1/2" | 27 1/2" | 27 1/2" | 27 1/2" | 27 1/2" | 27 1/2" | 27 1/2" | 27 1/2" | 27 1/2" | 27 1/2" | 27 1/2" | 31 1/2" | 31 1/2" |
| | | mm | 305 | 451 | 600 | 600 | 1000 | 1000 | 1000 | 508 | 698 | 698 | 698 | 698 | 698 | 698 | 698 | 698 | 698 | 698 | 698 | 698 | 800 | 800 |
| | W | inch | 12" | 17 3/4" | 23 5/8" | 23 5/8" | 39 3/8" | 39 3/8" | 39 3/8" | 20" | 27 1/2" | 27 1/2" | 27 1/2" | 27 1/2" | 27 1/2" | 27 1/2" | 27 1/2" | 27 1/2" | 27 1/2" | 27 1/2" | 27 1/2" | 27 1/2" | 31 1/2" | 31 1/2" |
| | | mm | 305 | 451 | 600 | 600 | 1000 | 1000 | 1000 | 508 | 698 | 698 | 698 | 698 | 698 | 698 | 698 | 698 | 698 | 698 | 698 | 698 | 800 | 800 |
| Net weight | RF | lbs. | 46 | 55 | 68 | 101 | 134 | 240 | 386 | 529 | 904 | 1466 | 2083 | 2447 | 3373 | 4261 | 5589 | 7507 | 9359 | 11728 | 14176 | 16865 | 19863 | 26246 |
| | | kg | 21 | 25 | 31 | 46 | 61 | 109 | 175 | 240 | 410 | 665 | 945 | 1110 | 1530 | 1933 | 2 | | | | | | | |

API CAST BALL VALVE CLASS 600

| | NPS | inch | 1" | 1 1/2" | 2" | 2 1/2" | 3" | 4" | 5" | 6" | 8" | 10" | 12" | 14" | 16" | 18" | 20" | 22" | 24" | 26" | 28" | 30" | 32" | 36" | |
|--------------------|---------------|------|--------|---------|---------|---------|---------|---------|---------|---------------|---------|---------|---------|---------|---------|---------|---------|---------|---------|---------|---------|---------|---------|---------|-------|
| | | | DN | mm | 25 | 40 | 50 | 65 | 80 | 100 | 125 | 150 | 200 | 250 | 300 | 350 | 400 | 450 | 500 | 550 | 600 | 650 | 700 | 750 | 800 |
| Overall dimens. | RF | inch | 8 1/2" | 9 1/2" | 11 1/2" | 13" | 14" | 17" | 20" | 22" | 26" | 31" | 33" | 35" | 39" | 43" | 47" | 51" | 55" | 57" | 61" | 65" | 70" | 82" | |
| | BW | mm | 216 | 241 | 292 | 330 | 356 | 432 | 508 | 559 | 660 | 787 | 838 | 889 | 991 | 1092 | 1194 | 1295 | 1397 | 1448 | 1549 | 1651 | 1778 | 2083 | |
| | RJ | inch | 8 1/2" | 9 1/2" | 11 5/8" | 13 1/8" | 14 1/8" | 17 1/8" | 20 5/8" | 22 1/8" | 26 1/8" | 31 1/8" | 33 1/8" | 35 1/8" | 39 1/8" | 43 1/8" | 47 1/4" | 51 3/8" | 55 3/8" | 57 1/2" | 61 1/2" | 65 1/2" | 70 5/8" | 82 5/8" | |
| | | mm | 216 | 241 | 295 | 333 | 359 | 435 | 524 | 562 | 664 | 791 | 841 | 892 | 994 | 1095 | 1200 | 1305 | 1407 | 1461 | 1562 | 1664 | 1794 | 2099 | |
| | H1 | inch | 6 1/4" | 6 1/4" | 6 5/8" | 7 3/8" | 8 1/8" | 9 1/2" | 11 5/8" | 10 5/8" | 12 1/4" | 14 1/4" | 16 1/2" | 18 7/8" | 19 3/4" | 20 5/8" | 24 7/8" | 25 1/4" | 25 5/8" | 27" | 29 1/2" | 32 1/2" | 34 1/2" | 38 5/8" | |
| | | mm | 159 | 159 | 168 | 187 | 206 | 241 | 295 | 270 | 311 | 362 | 419 | 479 | 502 | 524 | 632 | 641 | 651 | 686 | 749 | 826 | 876 | 981 | |
| | H2 | inch | 4 1/4" | 4 1/4" | 4 5/8" | 5 1/8" | 5 5/8" | 7" | 8 1/4" | 9 5/8" | 11 1/4" | 13 1/4" | 15 1/2" | 17 7/8" | 18 3/4" | 19 5/8" | 23 7/8" | 24 1/2" | 24 5/8" | 26" | 28 1/2" | 31 1/2" | 33 1/2" | 37 5/8" | |
| | | mm | 108 | 108 | 117 | 130 | 143 | 178 | 210 | 244 | 286 | 337 | 394 | 454 | 476 | 498 | 606 | 622 | 625 | 660 | 724 | 800 | 851 | 956 | |
| | W | inch | 12" | 17 3/4" | 23 5/8" | 23 5/8" | 39 3/8" | 39 3/8" | 39 3/8" | Gear operated | | | | | | | | | | | | | | | |
| | | mm | 305 | 451 | 600 | 600 | 1000 | 1000 | 1000 | | | | | | | | | | | | | | | | |
| | Net weight | RF | lbs. | 49 | 57 | 75 | 110 | 146 | 265 | 437 | 606 | 1124 | 1764 | 2447 | 2491 | 3483 | 4806 | 6129 | 8664 | 10758 | 12853 | 15300 | 18871 | 21914 | 29828 |
| | | | kg | 22 | 26 | 34 | 50 | 66 | 120 | 198 | 275 | 510 | 800 | 1110 | 1130 | 1580 | 2180 | 2780 | 3930 | 4880 | 5830 | 6940 | 8560 | 9940 | 13530 |
| BW | | lbs. | 44 | 51 | 64 | 93 | 123 | 223 | 370 | 527 | 1005 | 1574 | 2222 | 2240 | 3093 | 4332 | 5540 | 7736 | 9930 | 12412 | 14837 | 18276 | 21186 | 28924 | |
| | | kg | 20 | 23 | 29 | 42 | 56 | 101 | 168 | 239 | 456 | 714 | 1008 | 1016 | 1403 | 1965 | 2513 | 3509 | 4504 | 5630 | 6730 | 8290 | 9610 | 13120 | |

API CAST BALL VALVE CLASS 900

| | NPS | inch | 1" | 1 1/2" | 2" | 2 1/2" | 3" | 4" | 5" | 6" | 8" | 10" | 12" | 14" | 16" | 18" | 20" | 24" | |
|-----------------------|---------------|------|--------|---------|---------|---------|---------|---------|---------|---------------|---------|---------|---------|---------|---------|---------|---------|---------|-------|
| | | | DN | mm | 25 | 40 | 50 | 65 | 80 | 100 | 125 | 150 | 200 | 250 | 300 | 350 | 400 | 450 | 500 |
| Overall dimensions | RF | inch | 10" | 12" | 14 1/2" | 16 1/2" | 15" | 18" | 22" | 24" | 29" | 33" | 38" | 40 1/2" | 44 1/2" | 48" | 52" | 61" | |
| | BW | mm | 254 | 305 | 368 | 419 | 381 | 457 | 559 | 610 | 737 | 838 | 965 | 1029 | 1130 | 1219 | 1321 | 1549 | |
| | RJ | inch | 10" | 12" | 14 5/8" | 16 5/8" | 15 1/8" | 18 1/8" | 22 1/8" | 24 1/8" | 29 1/8" | 33 1/8" | 38 1/8" | 40 7/8" | 44 7/8" | 48 1/2" | 52 1/2" | 61 3/4" | |
| | | mm | 254 | 305 | 371 | 422 | 384 | 460 | 562 | 613 | 740 | 841 | 968 | 1038 | 1140 | 1232 | 1334 | 1568 | |
| | H1 | inch | 6 1/4" | 6 1/4" | 6 5/8" | 7 3/8" | 8 1/8" | 8 3/8" | 9 5/8" | 10 7/8" | 12 1/4" | 14 1/2" | 16 3/4" | 19 3/8" | 20 1/4" | 21" | 25 5/8" | 26 3/8" | |
| | | mm | 159 | 159 | 168 | 187 | 206 | 213 | 244 | 276 | 311 | 368 | 425 | 492 | 514 | 533 | 651 | 670 | |
| | H2 | inch | 4 1/4" | 4 1/4" | 4 5/8" | 5 1/8" | 5 5/8" | 7" | 8 1/2" | 9 7/8" | 11 1/4" | 13 1/2" | 15 3/4" | 18 3/8" | 19 1/4" | 20" | 24 5/8" | 25 3/8" | |
| | | mm | 108 | 108 | 117 | 130 | 143 | 178 | 216 | 251 | 286 | 343 | 400 | 467 | 489 | 508 | 625 | 644 | |
| | W | inch | 12" | 17 3/4" | 23 5/8" | 23 5/8" | 39 3/8" | 39 3/8" | 39 3/8" | Gear operated | | | | | | | | | |
| | | mm | 305 | 451 | 600 | 600 | 1000 | 1000 | 1000 | | | | | | | | | | |
| | Net weight | RF | lbs. | 57 | 88 | 115 | 146 | 176 | 375 | 617 | 860 | 1411 | 2359 | 3549 | 3439 | 4938 | 6614 | 9612 | 15498 |
| | | | kg | 26 | 40 | 52 | 66 | 80 | 170 | 280 | 390 | 640 | 1070 | 1610 | 1560 | 2240 | 3000 | 4360 | 7030 |
| BW | | lbs. | 49 | 75 | 90 | 110 | 146 | 324 | 531 | 750 | 1237 | 2099 | 3225 | 3040 | 4444 | 5935 | 8783 | 13999 | |
| | | kg | 22 | 34 | 41 | 50 | 66 | 147 | 241 | 340 | 561 | 952 | 1463 | 1379 | 2016 | 2692 | 3984 | 6350 | |

API CAST BALL VALVE CLASS 1500

| | NPS | inch | 1" | 1 1/2" | 2" | 2 1/2" | 3" | 4" | 6" | 8" | 10" | 12" | 14" | 16" | |
|-----------------------|---------------|------|---------|---------|---------|---------|---------|---------|---------------|---------|---------|---------|---------|---------|------|
| | | | DN | mm | 25 | 40 | 50 | 65 | 80 | 100 | 150 | 200 | 250 | 300 | 350 |
| Overall dimensions | RF | inch | 10" | 12" | 14 1/2" | 16 1/2" | 18 1/2" | 21 1/2" | 27 3/4" | 32 3/4" | 39" | 44 1/2" | 49 1/2" | 54 1/2" | |
| | BW | mm | 254 | 305 | 368 | 419 | 470 | 546 | 705 | 832 | 991 | 1130 | 1257 | 1384 | |
| | RJ | inch | 10" | 12" | 14 5/8" | 16 5/8" | 18 5/8" | 21 5/8" | 25 1/8" | 33 1/8" | 39 3/8" | 45 1/8" | 50 1/4" | 55 3/8" | |
| | | mm | 254 | 305 | 371 | 422 | 473 | 549 | 711 | 841 | 1000 | 1146 | 1276 | 1407 | |
| | H1 | inch | 6 1/4" | 6 1/4" | 6 5/8" | 7 3/8" | 8 1/8" | 8 3/8" | 11 1/2" | 13" | 15 3/8" | 17 3/4" | 20 3/8" | 21 1/2" | |
| | | mm | 159 | 159 | 168 | 187 | 206 | 213 | 292 | 330 | 390 | 451 | 517 | 546 | |
| | H2 | inch | 4 1/4" | 4 1/4" | 4 5/8" | 5 1/8" | 5 5/8" | 7" | 10 1/2" | 12" | 14 3/8" | 16 3/4" | 19 3/8" | 20 1/2" | |
| | | mm | 108 | 108 | 117 | 130 | 143 | 178 | 267 | 305 | 365 | 425 | 492 | 521 | |
| | W | inch | 17 3/4" | 17 3/4" | 23 5/8" | 23 5/8" | 39 3/8" | 39 3/8" | Gear operated | | | | | | |
| | | mm | 451 | 451 | 600 | 600 | 1000 | 1000 | | | | | | | |
| | Net weight | RF | lbs. | 57 | 88 | 121 | 176 | 231 | 452 | 1157 | 1940 | 3439 | 5192 | 6658 | 9392 |
| | | | kg | 26 | 40 | 55 | 80 | 105 | 205 | 525 | 880 | 1560 | 2355 | 3020 | 4260 |
| BW | | lbs. | 49 | 75 | 97 | 141 | 185 | 379 | 992 | 1664 | 2985 | 4502 | 5719 | 8142 | |
| | | kg | 22 | 34 | 44 | 64 | 84 | 172 | 450 | 755 | 1354 | 2042 | 2594 | 3693 | |



SC ARIO SA
 10 Industriiei Street
 4400 - Bistrita, Romania
 phone: +40-263-234160
 fax: +40-263-234008
 e-mail: info@ario.ro
 www.ario.ro